

REVISION HISTORY					
NO	ALTERATIONS	ALERT	DATE	BY	CHK'D
0	ISSUED TO QUOTE & SAMPLE		2012-06-30		

3

WATTS®
 WATTS REGULATOR CO.
 815 CHESTNUT ST.
 NORTH ANDOVER, MA 01845

THIS DRAWING DISCLOSES CONFIDENTIAL AND OTHER DATA OF A PROPRIETARY NATURE OWNED BY WATTS WATER TECHNOLOGIES, INC AND MAY NOT BE USED OR DISCLOSED TO OTHERS WITHOUT THE PRIOR WRITTEN CONSENT OF WATTS WATER TECHNOLOGIES, INC.

DWG BY: zhangjin DATE: 2012/5/11 SCALE: SUPSEDES:
 CHD BY: DATE: R&D:

2

LIMITS UNLESS SPECIFIED

FRACTIONAL	ANGULAR
±1/64	±1/2°
DECIMAL in/mm	
.XXX[0.XX]	±.005[0.12]
.XX[0.X]	±.01[0.2]
COMMON AXIS in/mm	
.015[0.38]	TIR
SURFACE FINISH in/micrometer	
125[3.2]	RMS

DO NOT SCALE DRAWING

TITLE: ANGLE VALVE

MATERIAL: SEE PARTLIST

OTHER:

1

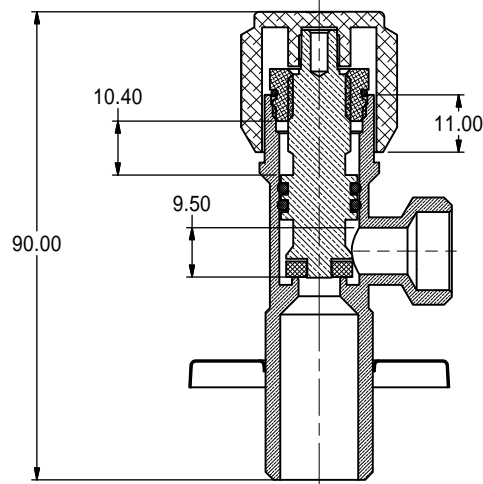
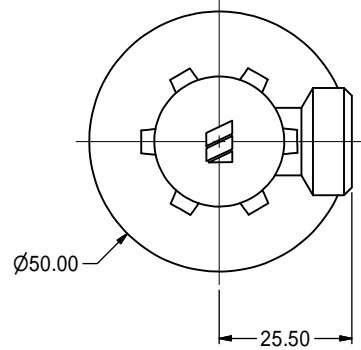
PART NO.: MTAV-1

EDP NO.: TBD SIZE: B REV: 0

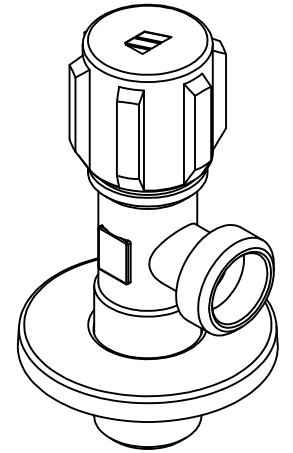
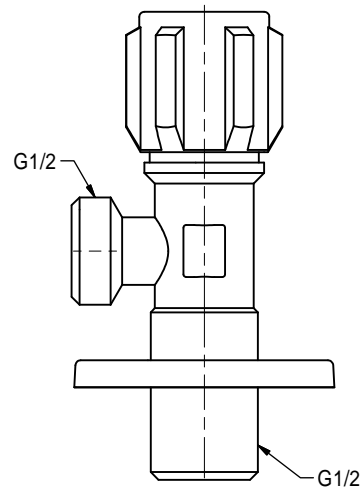
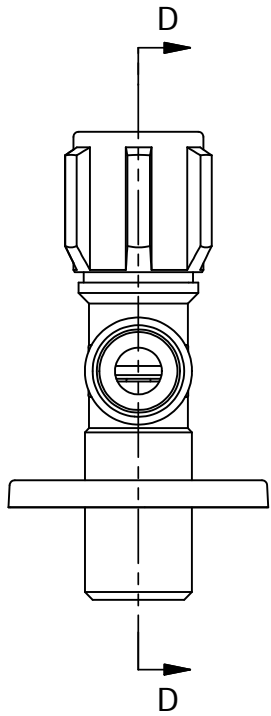
FILE TYPE:

PARTS LIST

ITE	QT	EDP NO	PART NUMBER	DESCRIPTION	MATERIAL
1	1	N/A	MTAV-AA1	BODY	BRASS -CW617N,NICKLE PLATING
2	1	N/A	MTAV-AA27	SPINDLE	BRASS-CW617N
3	1	N/A	MTAV-AA42	NUT	BRASS-CW617N
4	1	61991023	C_QTAV-AA194	ESCUTCHEON	SS304 w/FILM
5	1	N/A	MTAV-AA54	HANDLE	T 6063 AL BLUE ANODIZE
6	1	TBD	WHDV-BA102	WASHER	EPDM P. C., 70 DURO (E7008F)
7	2	N/A	MTAV-AA101	O-RING	EPDM- 70 DURO WRAS
8	1	N/A	MTAV-AB101	O-RING	EPDM- 70 DURO WRAS



SECTION D-D
SCALE 1 : 1



4

3

2

1