


REVISION HISTORY					
NO	ALTERATIONS	ALERT	DATE	BY	CHK'D
0	ISSUED TO QUOTE & SAMPLE		2012-06-30		


WATTS
 WATTS REGULATOR CO.
 815 CHESTNUT ST.
 NORTH ANDOVER, MA 01845

THIS DRAWING DISCLOSES CONFIDENTIAL AND OTHER DATA OF A PROPRIETARY NATURE OWNED BY WATTS WATER TECHNOLOGIES, INC AND MAY NOT BE USED OR DISCLOSED TO OTHERS WITHOUT THE PRIOR WRITTEN CONSENT OF WATTS WATER TECHNOLOGIES, INC.

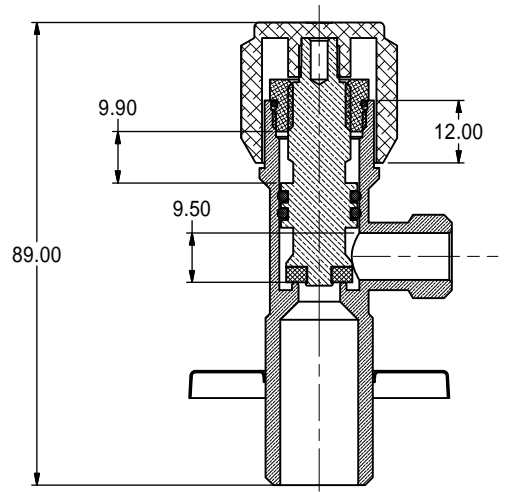
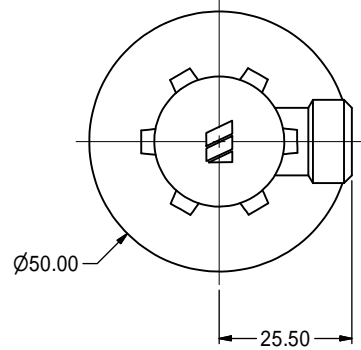
DWG BY: zhangjin DATE: 2012/5/11 SCALE: SUPERSEDES: R&D:
 CHD BY: DATE: R&D:

LIMITS UNLESS SPECIFIED:
 FRACTIONAL ±1/64 ±1/2"
 ANGULAR ±1/2°
 DECIMAL in[mm]
 .XXX[0.XX] ±.005[0.12]
 .XX[0.X] ±.01[0.2]
 COMMON AXIS in[mm]
 .015[0.38] TIR
 SURFACE FINISH μin[μmeter]
 125[3.2] RMS
 DO NOT SCALE DRAWING

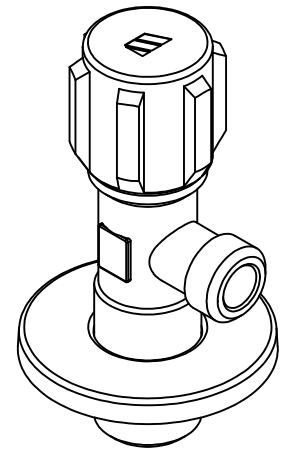
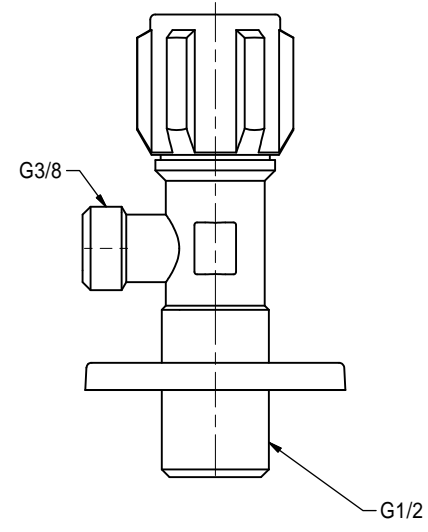
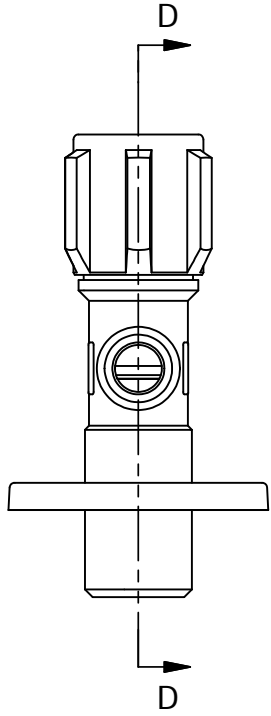
TITLE: **ANGLE VALVE**
 MATERIAL: **SEE PARTLIST**
 OTHER:

PART NO.: **MTAV-2**
 EDP NO.: **TBD** SIZE: **B** REV: **0**
 FILE TYPE:

PARTS LIST					
ITE	QT	EDP NO	PART NUMBER	DESCRIPTION	MATERIAL
1	1	N/A	MTAV-AC1	BODY	BRASS -CW617N,NICKLE PLATING
2	1	N/A	MTAV-AA27	SPINDLE	BRASS-CW617N
3	1	N/A	MTAV-AA42	NUT	BRASS-CW617N
4	1	61991023	C_QTAV-AA194	ESCUTCHEON	SS304 w/FILM
5	1	N/A	MTAV-AA54	HANDLE	T 6063 AL BLUE ANODIZE
6	1	TBD	WHDV-BA102	WASHER	EPDM P. C., 70 DURO (E7008F)
7	2	N/A	MTAV-AA101	O-RING	EPDM- 70 DURO WRAS
8	1	N/A	MTAV-AB101	O-RING	EPDM- 70 DURO WRAS



SECTION D-D
SCALE 1 : 1



B

B

A

A

4

3

2

1